



Features:

- ▶ ABS plastic moulding
- ▶ Apertures accepting a wide range of bus bar
- ▶ CTs are ultrasonically welded and unbreakable



Advantages:

- ▶ Easy bus bar mounting
- ▶ Highly cost effective
- ▶ Compact in size

Applications:

- ▶ Switchgear
- ▶ Distribution system
- ▶ Generator sets
- ▶ Control Panels
- ▶ Control Devices
- ▶ Overload protection

Input Specifications

Rated Primary Current 400A to 1600A
 Rated Secondary Output 5A/1A (Consult factory)

Technical Specifications

Rated Burden 10 VA and 15 VA
 Class of Accuracy 0.5 and 1
 Thermal Nominal Continuous 1.2 times rated current continuously
 Rated Current 2.55x Ith
 Thermal short circuit current 60xIn
 Insulation Class Class E
 Max Operating Voltage 720V maximum
 Insulation Test Voltage 3KV AC for 1 minute
 Compliance Standard VE404 and IEC185

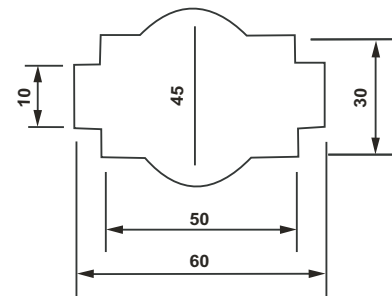
Environmental Specification

Operating Temperature 20°C to 70°C
 Storage Temperature 0°to 55°C
 Humidity <95% RH

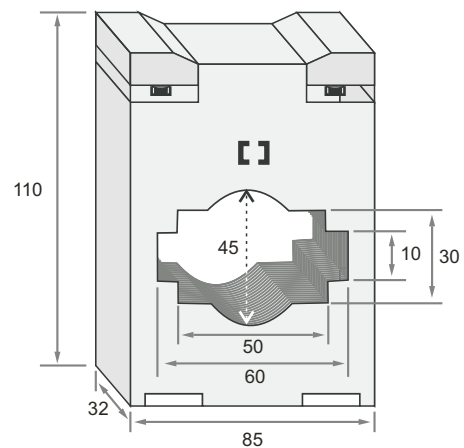
Ordering Information

Ordering Code	Ratio	Class	Burden (VA)
VIPS 601-400/5-1-10	400/5	1	10
VIPS 601-500/5-1-10	500/5	1	10
VIPS 601-600/5-0.5-10	600/5	0.5	10
VIPS 601-750/5-0.5-10	750/5	0.5	10
VIPS 601-800/5-0.5-10	800/5	0.5	10
VIPS 601-1000/5-0.5-10	1000/5	0.5	10
VIPS 601-1200/5-0.5-15	1200/5	0.5	15
VIPS 601-1250/5-0.5-15	1250/5	0.5	15
VIPS 601-1500/5-0.5-15	1500/5	0.5	15
VIPS 601-1600/5-0.5-15	1600/5	0.5	15

Dimensions



Bus Bar Dimension (mm) : 10 x 60, 30 x 50, Ø45



Outer Dimension : 85 x (W) x 110 (H) x 32 (D)